



OsiSense™ XMEP pressure transmitters designed for mobile equipment



The efficient and easy way to monitor pressure in your mobile equipment

Mobile equipment environments are typically characterized by severe conditions, pressure spikes and high levels of vibration. The latest pressure transmitter innovation from Telemecanique Sensors provides an ideal solution for mobile equipment with appropriate electrical connections, power supply, operating temperature range and degree of protection.

Highly robust

The OsiSense XMEP pressure transmitter is highly resistant to overpressure and includes a pulse snubber which protects it against damaging pressure spikes / hammer effects. The XMEP is certified up to IP69K and has a high electromagnetic compatibility conforming to mobile equipment standards, including E2 certification.

Compact

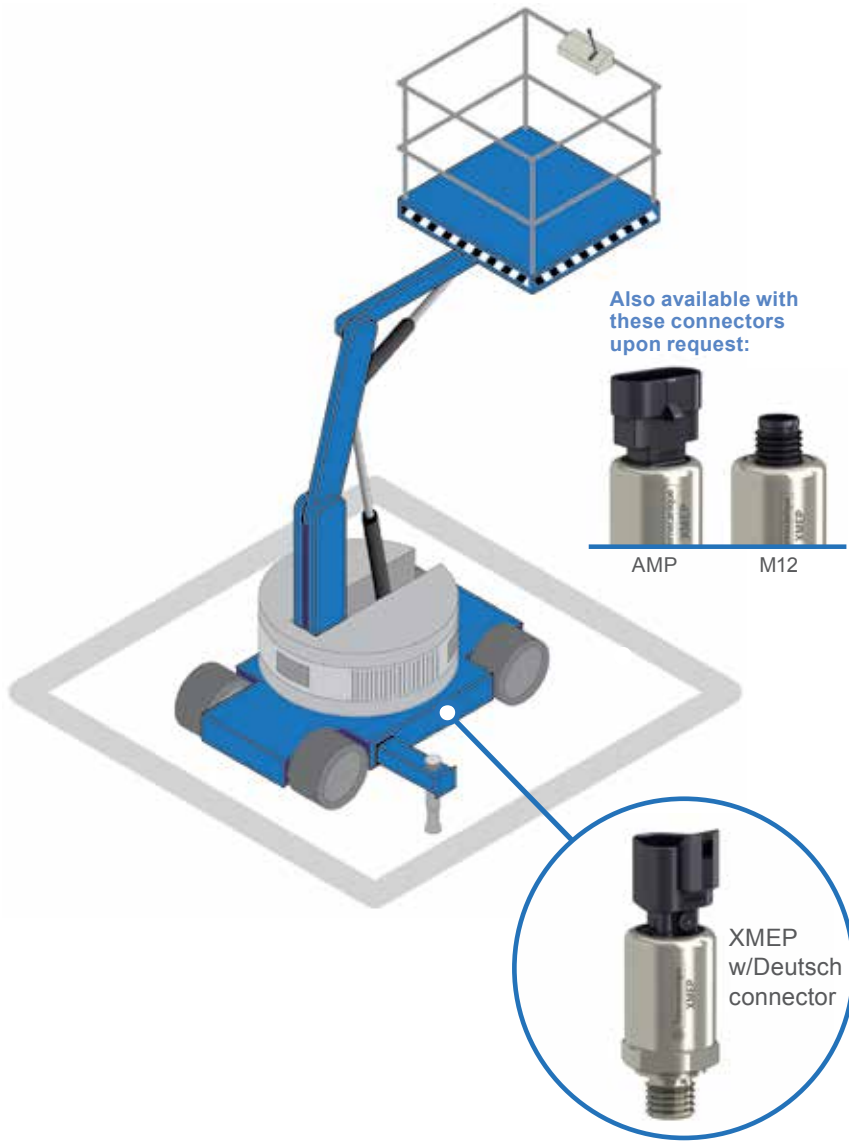
OsiSense XMEP is one of the most compact pressure transmitters on the market, making it easy to integrate into the tight spaces of your mobile equipment design.

Compatible

The OsiSense XMEP is available with most of the standard connectors used in the mobile equipment industry and can directly connect with wiring harnesses. Take the XMEP out of the box. Plug it in.

Simply easy!





Features and Benefits

Highly robust

- 316L stainless steel housing provides a high resistance to corrosion
- High overpressure resistance (3 times the nominal pressure)
- Embedded pulse snubber to protect against pressure spikes

Compact

- Dimensions from 1 1/32" x 1 1/2" (26mm x 38mm)

Designed for mobile equipment

- Available connectors: Deutsch, AMP and M12
- Electromagnetic protection up to 100V/m

Characteristics

- Pressure range from 1000 psi to 7500 psi
- Analog signals: 0.5-4.5V ratiometric, 4-20mA, 0-10V
- Operating temperature range -40° to 212°F
- Compatible with 12V and 24V batteries
- Up to IP69K
- E2 certified for high resistance to electromagnetic interference

Part Numbers

Fluid entry: 1/4-18NPT male

Electrical connector	Analog output	Pressure			
		0...1000 PSI	0...3000 PSI	0...5000 PSI	0...7500 PSI
Deutsch DT04-3P	4-20mA	XMEP1K0PT230	XMEP3K0PT230	XMEP5K0PT230	XMEP7K5PT230
Deutsch DT04-3P	0-10V DC	XMEP1K0PT730	XMEP3K0PT730	XMEP5K0PT730	XMEP7K5PT730
Deutsch DT04-3P	0.5-4.5V DC	XMEP1K0PT130	XMEP3K0PT130	XMEP5K0PT130	XMEP7K5PT130

For more cable entry, output, and sizing options, visit www.tesensors.com

Discover our complete offer: www.tesensors.com or contact your local sales agency

Telemecanique Sensors USA

1875 Founders Dr.
Dayton, OH 45420-4017
TEL: 888-778-2733

www.tesensors.us

Telemecanique Sensors Canada

5985 McLaughlin Road
Mississauga, Ontario L5R 1B8
TEL: 800-565-6699

www.tesensors.ca

The information provided in this documentation contains general descriptions and/or technical characteristics of the performance of the products contained herein. This documentation is not intended as a substitute for and is not to be used for determining suitability or reliability of these products for specific user applications. It is the duty of any such user or integrator to perform the appropriate and complete risk analysis, evaluation and testing of the products with respect to the relevant specific application or use thereof. Neither Schneider Electric nor any of its affiliates or subsidiaries shall be responsible or liable for misuse of the information contained herein.